

PROGRAMMABLE DC POWER SUPPLY

Model No: GCP300V50A

Features

- Wide input voltage range
- High efficiency
- CC and CV mode
- Output short circuit protection
- Very low output ripple



TECHNICAL SPECIFICATIONS:

1. Nominal AC Voltage: 415 V \pm 10% AC, 3-Ph 3wire (Operating range 340V to 440V)
2. Frequency: 45-65Hz
3. Input Current: < 10A RMS
4. Efficiency : > 85%
5. Power Factor:> 0.85
6. Phase Imbalance \leq 5% on Three-Phase Input

Output Specifications:

1. Nominal output DC Voltage: 0V to 300V
2. Mode of operation: CC, CV
3. Output Current: 0A at 50A
4. Power: 15KW

5. Regulation:

Load Regulation:

Voltage: $\pm 0.02\%$ of full scale

Current: $\pm 0.1\%$ of full scale

Line Regulation:

Voltage: $\pm 0.01\%$ of Nil scale

Current: $\pm 0.05\%$ of full scale

6. Ripple R.M.S (5Hz-1MHz) $\leq 0.2\%$ of full scale

7. Output Noise p-p (20MHz), $\leq 0.2\%$ of full scale

8. Display: Voltage - 4 digits Accuracy Current- 4 digits Accuracy

9. Function/Status LEDs:

Alarm, Fine Control, Preview setting, Fold back mode, Remote mode & Output On.

Provision Parallel Operation & Series Operation

10. Operating Temperature: 0 - +50°C, 100% load

11. Humidity: 20 - 80% RH (Non - Condensing)

12. Audible Noise 65dBA (Max) at Rated Current

13. Standards:

CE mark

ESD EN61000-4-2 (IEC 801-2)

Surge Immunity EN61000-4-5 (IEC 1000-4-5)

Conducted & Radiated Emissions EN55011A, FCC part 15J-A

15. Insulation Resistance > 100 Megohms at 500VDC, +25°C

16. Output Ground Connection: M5 x 1.0" Threaded Stud

17 AC input connector (with protective cover): 3xM6x1" threaded studs

18 Output Connectors: Bus Bar type with holes

19 PC interface: RS232 /RS 485 , Ethernet communication

Safety features:

1. over voltage and over load protection

2. Fuses and all inbuilt safety devices

3. over temperature

GROWCONTROLS, #P-5/1/A, Road No. 13, IDA Nacharam, Hyderabad – 500 076. INDIA.
Phone: +91-(40)-27175591.FAX: +91-(40)-27175386.E-mail: growcontrols@gmail.com URL:
www.growcontrols.co.in

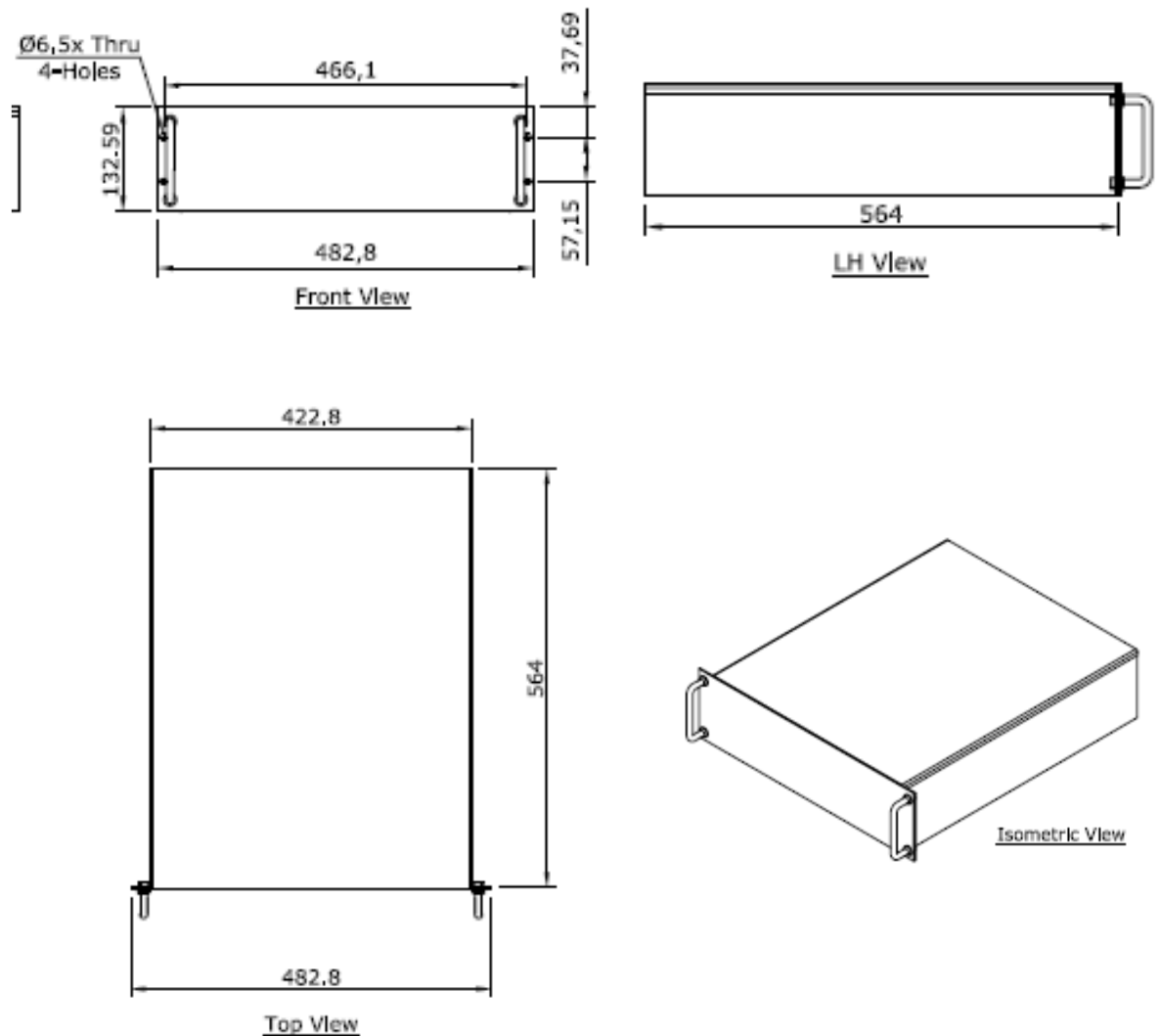
4. Input Protection: Circuit Breaker/ Fuse

Dimensions: $W \leq 430\text{mm} \times H \leq 135\text{mm} \times D \leq 565\text{mm}$ (19"rack ,3U height)

Weight <35Kg Max

Cooling: Forced air cooling using temperature controlled fans(cool air inlet from front side ,hot air exit from rear side)

MECHANICAL:



COMPANY PROFILE:



GROWCONTROLS is a research based Power Electronics organization, established in the year 1993. Our main focus is in design and development of Power Electronics solutions for Defence Sector.

GROWCONTROLS is headed by Power Electronics Engineer with more than two decades research experience in development of specialized power supply solutions. Being research based organization. With our experienced engineers and good infrastructure we develop solutions and systems from concept to product level.